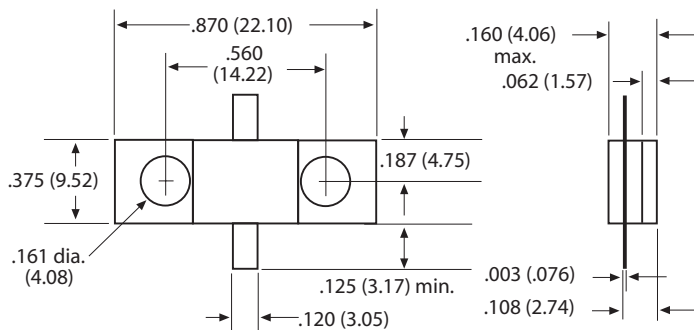


PERFORMANCE SPECIFICATIONS:

Part Number: RPR800-100

Frequency: DC-4.0GHz

100 Watts (4KW Peak)



PERFORMANCE SPECIFICATIONS:

Part Number: RPR875-100

Frequency: DC-2.0GHz

100 Watts (4KW Peak)