

TYPE "N" ATTENUATORS

GENERAL SPECIFICATIONS:

IMPEDANCE: 50 Ohms.

ACCURACY of ATTENUATION: DC - 2 GHz ± 0.30 dB
 DC - 4 GHz ± 0.50 dB
 DC - 6 GHz ± 0.75 dB

INPUT POWER: 10 or 20 Watts. The power is based on 25°C ambient temperature derated to zero power at 125°.

OPERATING TEMPERATURE RANGE: -65°C to +125°C.

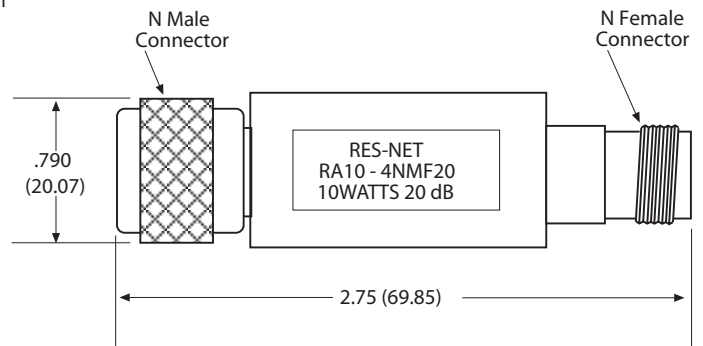
TEMPERATURE COEFFICIENT: 0.0001 dB/dB/°C.

CONNECTOR INTERFACE: Meets the interface requirements of MIL-C-39012.

HOUSING: Nickel Plated Brass.

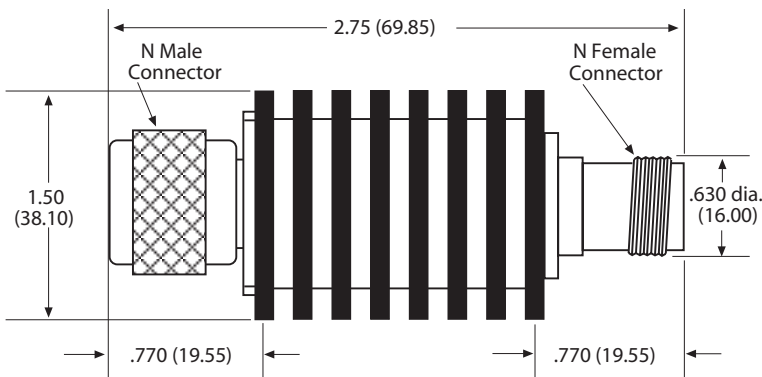
ATTENUATION VALUES: 1 - 40dB

MODEL NUMBER	FREQUENCY RANGE	VSWR (max.)
RA10-2	DC-2 GHz	1.15:1
RA10-4	DC-4 GHz	1.25:1
RA10-6	DC-6 GHz	1.35:1



RA10
10WATTS (1KW peak)

MODEL NUMBER	FREQUENCY RANGE	VSWR (max.)
RA20-2	DC-2 GHz	1.15:1
RA20-4	DC-4 GHz	1.25:1
RA20-6	DC-6 GHz	1.35:1



RA20
20WATTS (1KW peak)

HOW TO ORDER BY PART NUMBER:

The part number is a combination of model, power, frequency, connector type and attenuation value.

Example: RA 10 2 NMF dB

