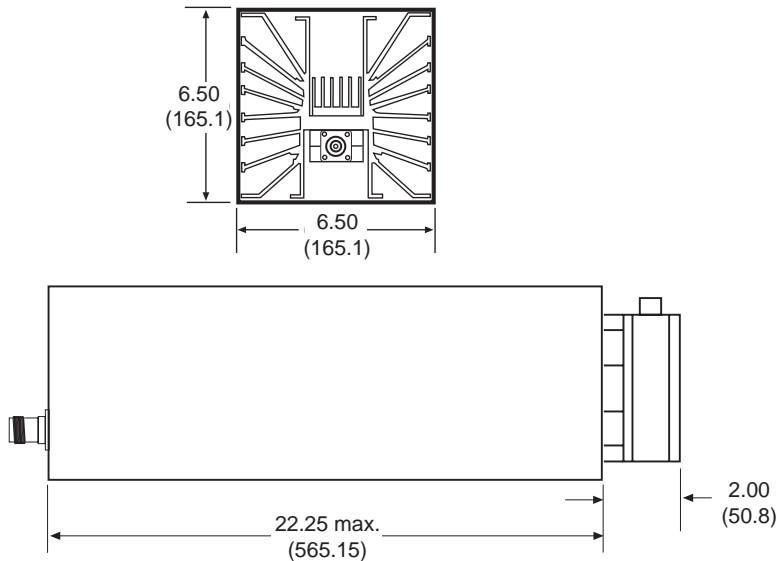


## RFT1500NF

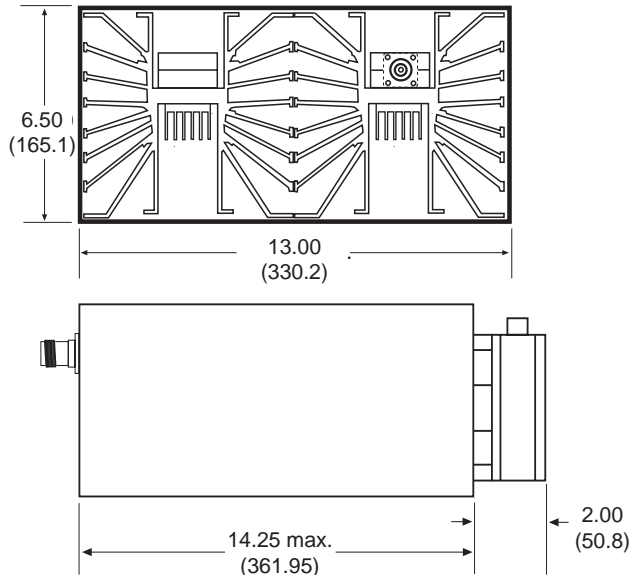


**INPUT POWER: 1500 Watts**

### SPECIFICATIONS:

Frequency Range: DC to 500 MHz  
VSWR: 1.25:1 - DC to 500 MHz  
Peak Power: 2 kW max.  
Nominal Size: (L,W,H) 22<sup>1</sup>/<sub>4</sub>" x 6<sup>1</sup>/<sub>2</sub>" x 6<sup>1</sup>/<sub>2</sub>" max.  
Weight: 26 lbs. (11.79 kg) max.

## RFT2000NF



**INPUT POWER: 2000 Watts**

### SPECIFICATIONS:

Frequency Range: DC to 500 MHz  
VSWR: 1.25:1 - DC to 500 MHz  
Peak Power: 2 kW max.  
Nominal Size: (L,W,H) 14<sup>1</sup>/<sub>4</sub>" x 13" x 6<sup>1</sup>/<sub>2</sub>" max.  
Weight: 25 lbs. (11.34 kg) max.