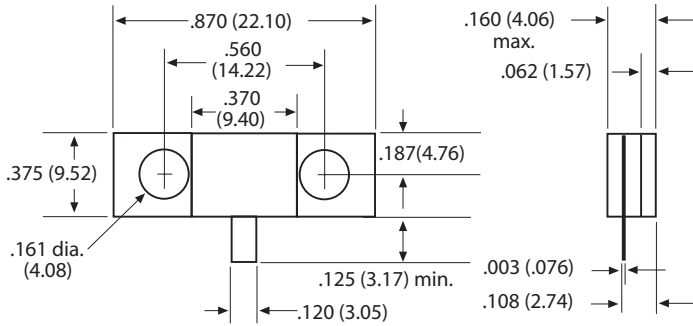


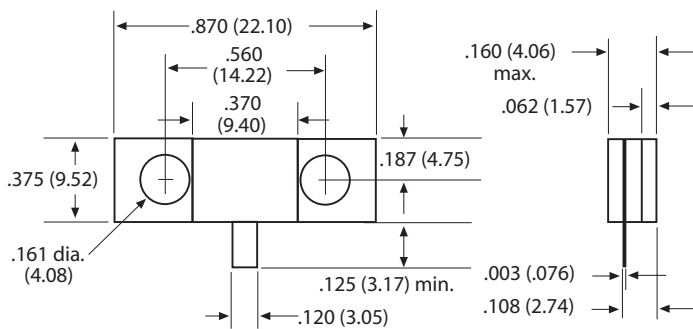
POWER FLANGE TERMINATION



PERFORMANCE SPECIFICATIONS:

Part Number: RPT875-75
Frequency: DC-1.5GHz
VSWR (Max): 1.20:1 DC to 1.0 GHz
1.35:1 1.0 to 1.5 GHz

75 Watts (1KW Peak)



PERFORMANCE SPECIFICATIONS:

Part Number: RPT875-100
Frequency: DC-1.5GHz
VSWR (Max): 1.20:1 DC to 1.0 GHz
1.35:1 1.0 to 1.5 GHz

100 Watts (1.2KW Peak)