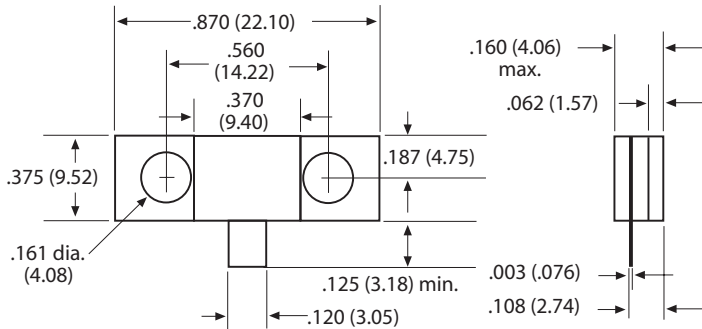


PERFORMANCE SPECIFICATIONS:

Part Number: RPT800-120
 Frequency: DC-1.5GHz
 VSWR (Max): 1.15:1 DC to 1.5 GHz

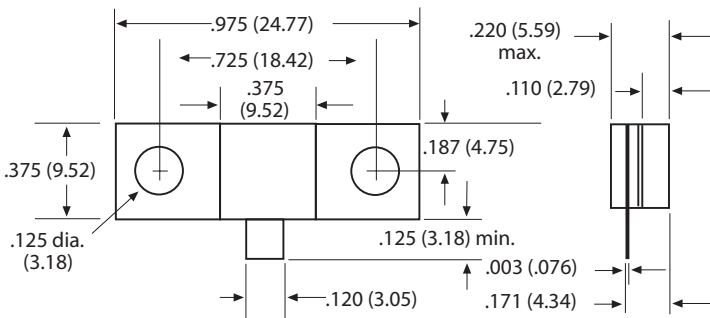
120 Watts (2KW Peak)



PERFORMANCE SPECIFICATIONS:

Part Number: RPT870-150
 Frequency: DC-1.5GHz
 VSWR (Max): 1.20:1 DC to 1.0 GHz
 1.35:1 1.0 to 1.5 GHz

150 Watts (4KW Peak)



PERFORMANCE SPECIFICATIONS:

Part Number: RPT975-200
 Frequency: DC to 3.0 GHz
 VSWR (Max): 1.15:1 DC to 2.0 GHz
 1.30:1 DC to 3.0 GHz

200 Watts (2KW Peak)