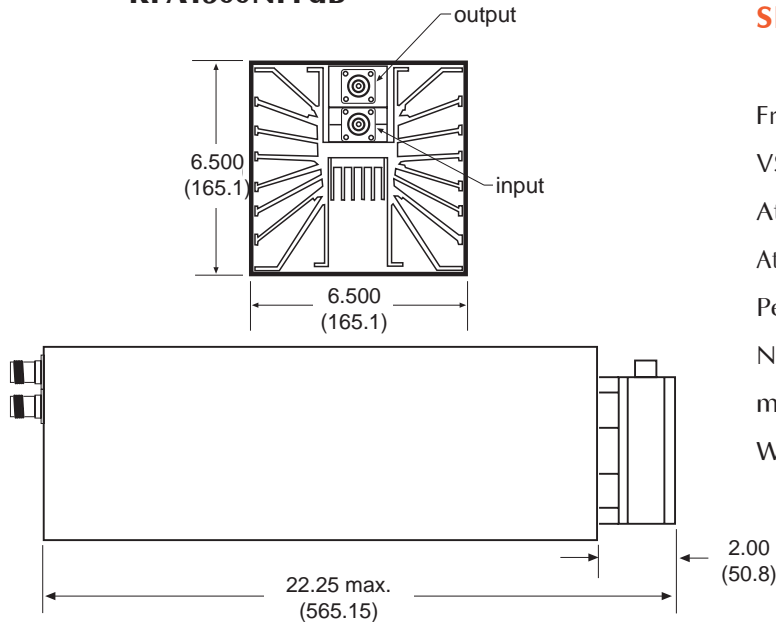


**RFA1500NFFdB**

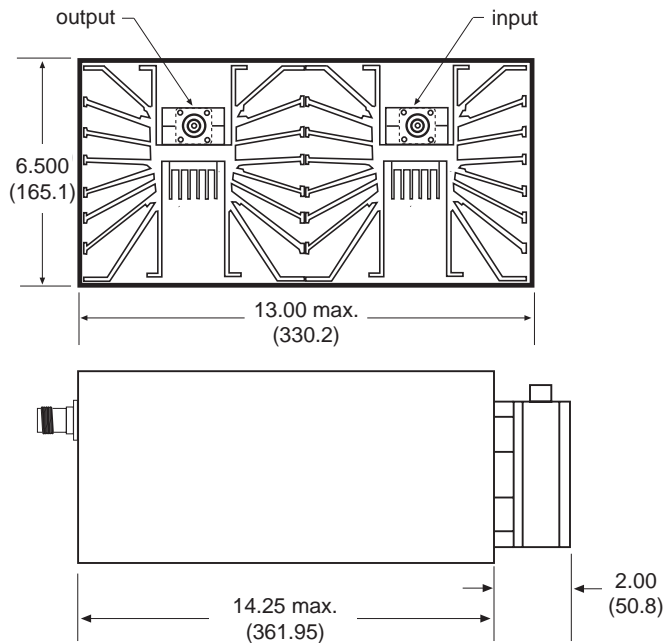


**SPECIFICATIONS:**

- Frequency Range: DC to 500 MHz
- VSWR: 1.25:1 - DC to 500 MHz
- Attenuation Value: 3 to 30 dB
- Attenuation Accuracy:  $\pm 3$  dB or 3%
- Peak Power: 2 kW max.
- Nominal Size: (L,W,H) 22 $\frac{1}{4}$ " x 6 $\frac{1}{2}$ " x 6 $\frac{1}{2}$ " max.
- Weight: 26 lbs. (11.79 kg) max.

**INPUT POWER: 1500 Watts**

**RFA2000NFFdB**



**SPECIFICATIONS:**

- Frequency Range: DC to 500 MHz
- VSWR: 1.25:1 - DC to 500 MHz
- Attenuation Value: 3 to 30 dB
- Attenuation Accuracy:  $\pm 3$  dB or 3%
- Peak Power: 2 kW max.
- Nominal Size: (L,W,H) 14 $\frac{1}{4}$ " x 13" x 6 $\frac{1}{2}$ " max.
- Weight: 25 lbs. (11.34 kg) max.

**INPUT POWER: 2000 Watts**