

RPC100-200-2AT-50-2

20 WATT CHIP TERMINATION

Features:

- Surface mount
- 20 Watts
- RoHS Compliant
- DC - 6 GHz



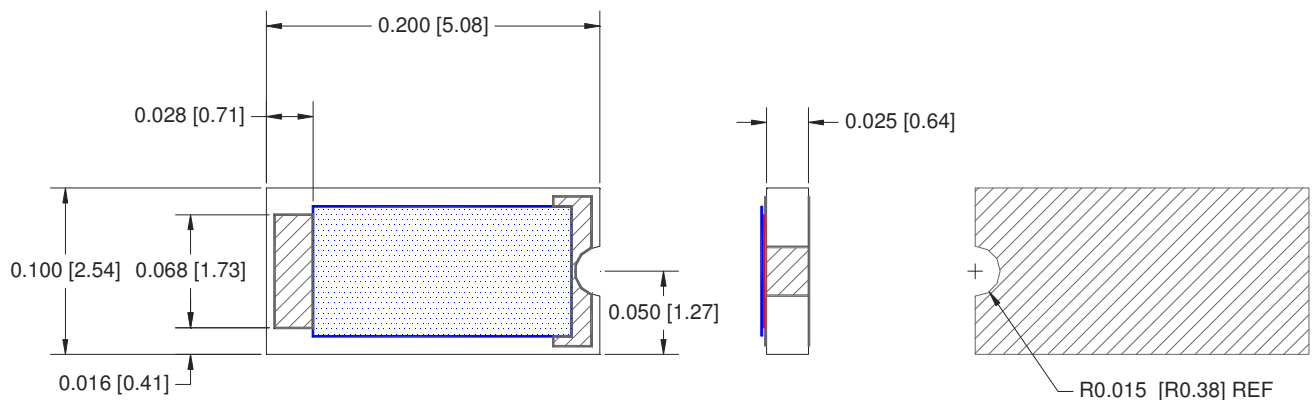
Specifications:

DC Resistance:	50 Ohms $\pm 2\%$
Power:	20 Watts
Operating Temperature:	-55°C to +150°C
VSWR (MAX):	1.25:1 DC-6.0 GHz

Materials:

Substrate:	Alumina
Resistive film:	Thick film
Terminals:	Silver conductor

Mechanical Outline



Dimensions are in inches [mm]

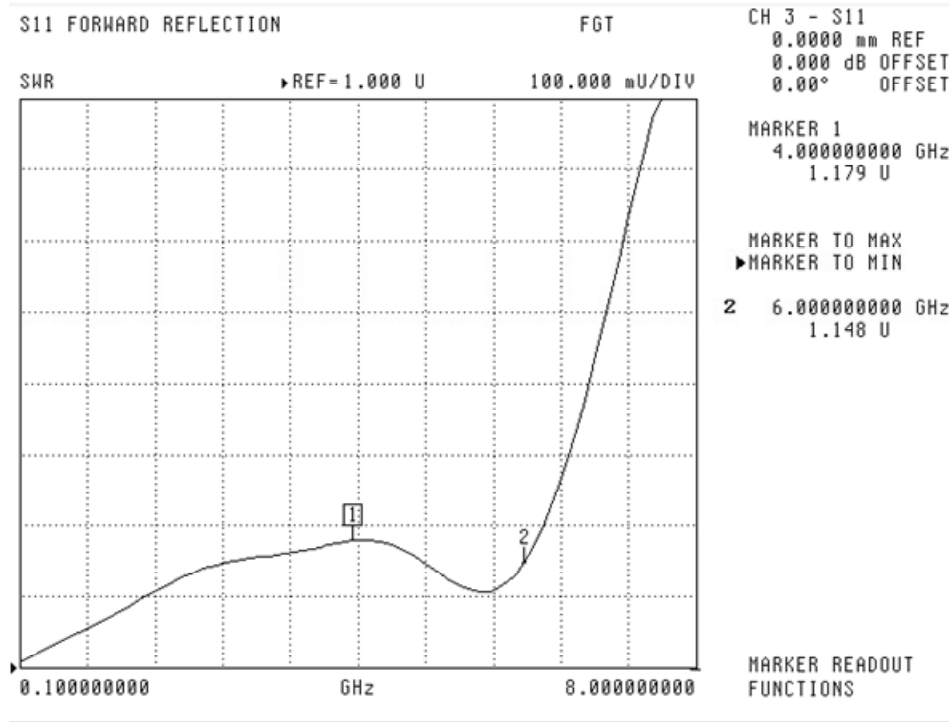
P.O. BOX 18802, Clearwater, FL 33762
1-800-526-0704



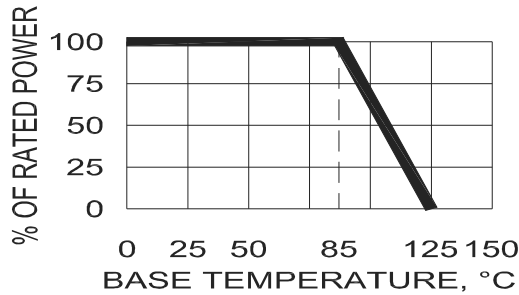
RPC100-200-2AT-50-2

20 WATT CHIP TERMINATION

Typical performance



Power Rating



Ordering Information

RPC 100-200 - 2 A T - 50 - 2

Series number Size: Thickness: Substrate: Type: Resistance Tolerance

100: 0.100"x0.200" 2: 0.025" A: Alumina Termination

P.O. BOX 18802, Clearwater, FL 33762
1-800-526-0704

RES-NET MICROWAVE



Electro Technik Industries

RES-NET MICROWAVE

Capacitive Products

Arizona Capacitors, Inc.
1100 S. Plumer Avenue, Tucson, AZ 85719
tel: 520-573-0221 fax: 520-573-0520
azcapsales@electrotechnik.com
www.arizonacapacitors.com

- Wound Film Capacitors and Electronic Filters

Custom Suppression, Inc.
1100 S. Plumer Avenue, Tucson, AZ 85719
tel: 520-573-0223 fax: 520-573-0520
csisales@electrotechnik.com
www.customsuppression.com

- Broadband, Microwave, EMI, and RFI Filters, Filtered Connectors, and Assemblies

Microwave Products

Res-Net Microwave, Inc.
P.O. Box 18802, Clearwater, FL 33762
tel: 727-530-9555 fax: 727-531-8215
res_sales_service@electrotechnik.com
www.res-netmicrowave.com

- RF/Microwave Resistors, Attenuators, Terminations

Wavetronix Corp.
P.O. Box 18802, Clearwater, FL 33762
tel: 727-530-9555 fax: 727-531-8215
wave_sales_service@electrotechnik.com
www.wavetronix-eti.com

- RF/Microwave Cable Assemblies and Semi-Rigid Coaxial Cables

Resistive Products

Tepro of Florida, Inc.
P.O. Box 18802, Clearwater, FL 33762
tel: 727-796-1044 fax: 727-791-7425
tep_sales_service@electrotechnik.com
www.tepro-vamistor.com

- Wirewound and Metal Film Resistors

Vamistor
P.O. Box 1260, Clearwater, FL 33757
tel: 727-796-1044 fax: 727-791-7425
tep_sales_service@electrotechnik.com
www.tepro-vamistor.com

- Carbon Film and RL 42 Resistors

Magnetics Products

Hytronics Corp.
P.O. Box 18802, Clearwater, FL 33762
tel: 727-535-0413 fax: 727-531-1592
hy_sales_service@electrotechnik.com
www.hytronicscorp.com

- Power Transformers and Power Inductors

Raycom Electronics, Inc.
P.O. Box 250, 1 Raycom Rd.
Dover, PA 17315
tel: 717-292-3641 fax: 717 292-2919
raycomsaleservice@electrotechnik.com
www.raycomelectronics.com

- Custom Military and Avionics Magnetics

Goguen Industries

1100 S. Plumer Avenue, Tucson, AZ 85719
tel: 520-573-0221 fax: 520-573-0520
goguensales@electrotechnik.com
www.goguenindustries.com

- Specialty Inductors, Transformers, and Air Coils

Inductive Technologies, Inc. (I-Tech)
P.O. Box 18802, Clearwater, FL 33762
tel: 727-532-4459 fax: 727-531-1592
i-techsales@electrotechnik.com
www.inductech.com

- Standard Catalog Inductors and Transformers

Winatic Corp.
P.O. Box 18802, Clearwater, FL 33762
tel: 727-538-8917 fax: 727-531-1592
win_sales_service@electrotechnik.com
www.winatic.com

- Transformers and Inductors for Medical Devices and Equipment

P.O. BOX 18802, Clearwater, FL 33762
1-800-526-0704