

# RPC4020-10AT50-5

## 1 WATT CHIP TERMINATION

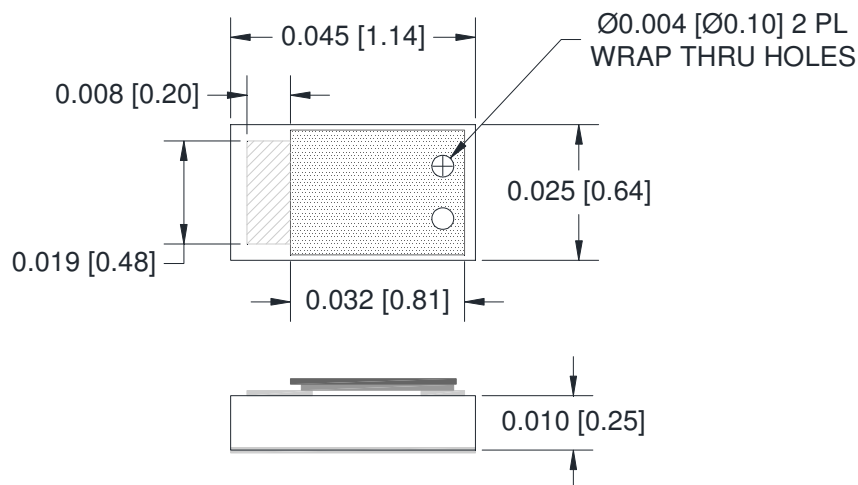
### Features:

- Alumina substrate
- Low VSWR
- RoHS Compliant
- DC -20GHz
- Small size

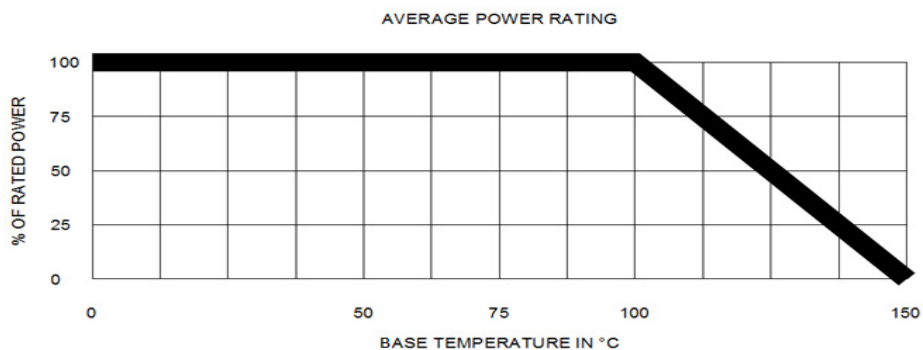
### Specifications:

DC Resistance:	50 Ohms +/-5%
Power:	1 Watts CW
Operating Temperature:	-55°C to +125°C
VSWR (MAX):	1.25:1 DC-8 GHz
	1.35:1 8-20 GHz

### Mechanical Outline



Dimensions are in inches [mm]

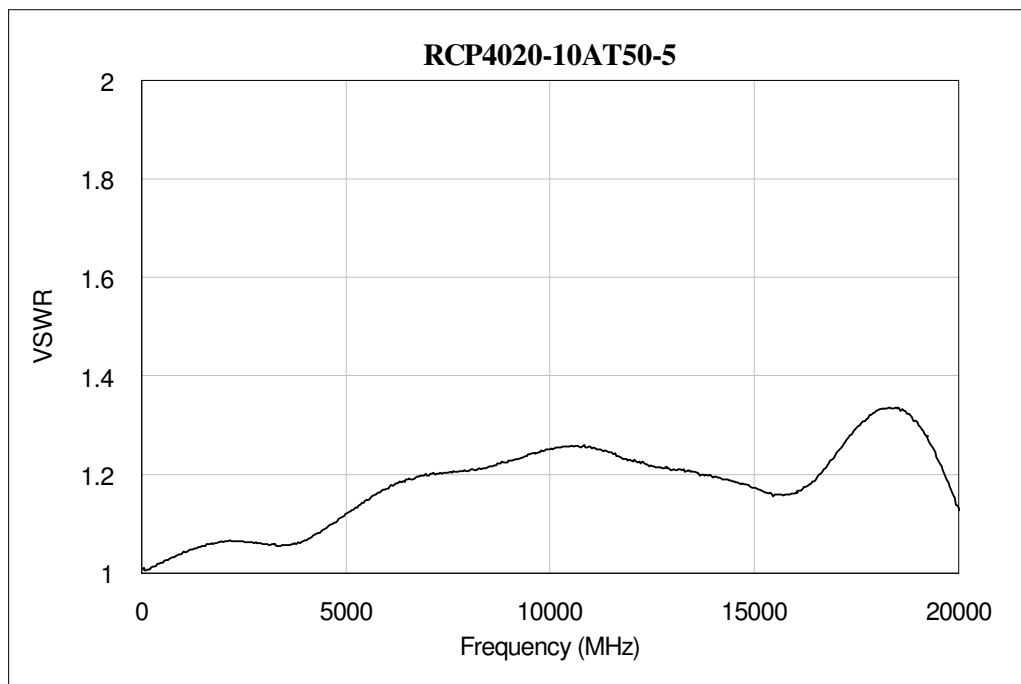


P.O. BOX 18802, Clearwater, FL 33762  
1-800-526-0704

# RPC4020-10AT50-5

1 WATT CHIP TERMINATION

## Typical Performance



## Ordering Information

**RPC 4020 - 10 A T 50 - 5**  
 Series      Size:      Thickness:      Substrate:      Style      Resistance      Tolerance  
 4020: 0.045"x0.025"      10 mils      A: Alumina

P.O. BOX 18802, Clearwater, FL 33762  
1-800-526-0704



# Electro Technik Industries

RES-NET MICROWAVE

## Capacitive Products

**Arizona Capacitors, Inc.**  
1100 S. Plumer Avenue, Tucson, AZ 85719  
tel: 520-573-0221 fax: 520-573-0520  
azcapsales@electrotechnik.com  
www.arizonacapacitors.com

- Wound Film Capacitors and Electronic Filters

**Custom Suppression, Inc.**  
1100 S. Plumer Avenue, Tucson, AZ 85719  
tel: 520-573-0223 fax: 520-573-0520  
csisales@electrotechnik.com  
www.customsuppression.com

- Broadband, Microwave, EMI, and RFI Filters, Filtered Connectors, and Assemblies

## Microwave Products

**Res-Net Microwave, Inc.**  
P.O. Box 18802, Clearwater, FL 33762  
tel: 727-530-9555 fax: 727-531-8215  
res\_sales\_service@electrotechnik.com  
www.res-netmicrowave.com

- RF/Microwave Resistors, Attenuators, Terminations

**Wavetronix Corp.**  
P.O. Box 18802, Clearwater, FL 33762  
tel: 727-530-9555 fax: 727-531-8215  
wave\_sales\_service@electrotechnik.com  
www.wavetronix-eti.com

- RF/Microwave Cable Assemblies and Semi-Rigid Coaxial Cables

## Resistive Products

**Tepro of Florida, Inc.**  
P.O. Box 18802, Clearwater, FL 33762  
tel: 727-796-1044 fax: 727-791-7425  
tep\_sales\_service@electrotechnik.com  
www.tepro-vamistor.com

- Wirewound and Metal Film Resistors

**Vamistor**  
P.O. Box 1260, Clearwater, FL 33757  
tel: 727-796-1044 fax: 727-791-7425  
tep\_sales\_service@electrotechnik.com  
www.tepro-vamistor.com

- Carbon Film and RL 42 Resistors

## Magnetics Products

**Hytronics Corp.**  
P.O. Box 18802, Clearwater, FL 33762  
tel: 727-535-0413 fax: 727-531-1592  
hy\_sales\_service@electrotechnik.com  
www.hytronicscorp.com

- Power Transformers and Power Inductors

**Raycom Electronics, Inc.**  
P.O. Box 250, 1 Raycom Rd.  
Dover, PA 17315  
tel: 717-292-3641 fax: 717 292-2919  
raycomsaleservice@electrotechnik.com  
www.raycomelectronics.com

- Custom Military and Avionics Magnetics

## Goguen Industries

1100 S. Plumer Avenue, Tucson, AZ 85719  
tel: 520-573-0221 fax: 520-573-0520  
goguensales@electrotechnik.com  
www.goguenindustries.com

- Specialty Inductors, Transformers, and Air Coils

**Inductive Technologies, Inc. (I-Tech)**  
P.O. Box 18802, Clearwater, FL 33762  
tel: 727-532-4459 fax: 727-531-1592  
i-techsales@electrotechnik.com  
www.inductech.com

- Standard Catalog Inductors and Transformers

**Winatic Corp.**  
P.O. Box 18802, Clearwater, FL 33762  
tel: 727-538-8917 fax: 727-531-1592  
win\_sales\_service@electrotechnik.com  
www.winatic.com

- Transformers and Inductors for Medical Devices and Equipment

P.O. BOX 18802, Clearwater, FL 33762  
1-800-526-0704