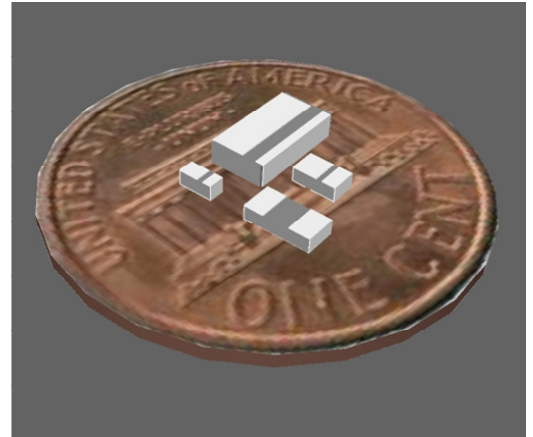


## Thermal Jumpers

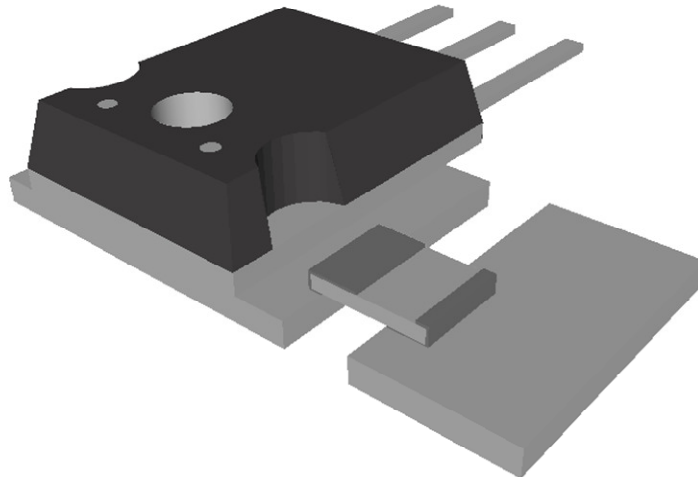
These ceramic chips are designed to help in thermal management by transferring the heat from components to an area on the PCB where it can be safely dissipated.

The thermal jumpers are electrically isolated and can be used in both, RF and DC applications.

These thermal jumpers are RoHS compliant and are offered in BeO, AlN and CVD with different sizes and thickness.



The Thermal Jumpers can be mounted between the chassis (or flange) of the heat source and an external heat sink providing a conduction path for the heat transfer creating a design alternative for systems where temperature cannot be controlled by forcing mechanisms like fans or water cooling systems.

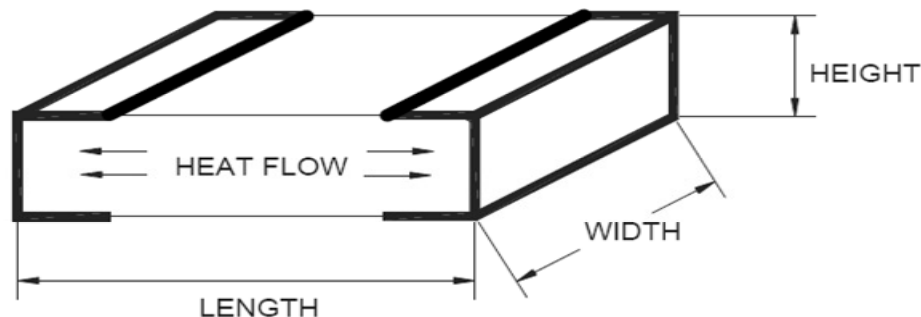


P.O. BOX 18802, Clearwater, FL 33762  
1-800-526-0704

# Thermal Jumpers

**Metallization options:** The thermal jumpers are offered with standard or extended metallization.

**Standard metallization:**



Aluminum Nitride

Part Number	Length (in)	Width (in)	Thickness (in)	Thermal Resistance ( $^{\circ}\text{C}/\text{W}$ )	Capacitance (pF)
RTC0505-25NW	0.050	0.050	0.025	9.2	0.150
RTC0603-25NW	0.060	0.030	0.025	18	0.075
RTC0805-25NW	0.080	0.050	0.025	15	0.070
RTC1005-25NW	0.100	0.050	0.025	18	0.042
RTC1206-25NW	0.120	0.060	0.025	18	0.038
RTC1020-25NW	0.100	0.200	0.025	4.63	0.170

Berilyum Oxide

Part Number	Length (in)	Width (in)	Thickness (in)	Thermal Resistance ( $^{\circ}\text{C}/\text{W}$ )	Capacitance (pF)
RTC0505-25W	0.050	0.050	0.025	6.06	0.183
RTC0603-25W	0.060	0.030	0.025	12.11	0.055
RTC0805-25W	0.080	0.050	0.025	9.69	0.046
RTC1005-25W	0.100	0.050	0.025	12.11	0.030
RTC1206-25W	0.120	0.060	0.025	12.11	0.027
RTC1020-25W	0.100	0.200	0.025	3.03	0.122

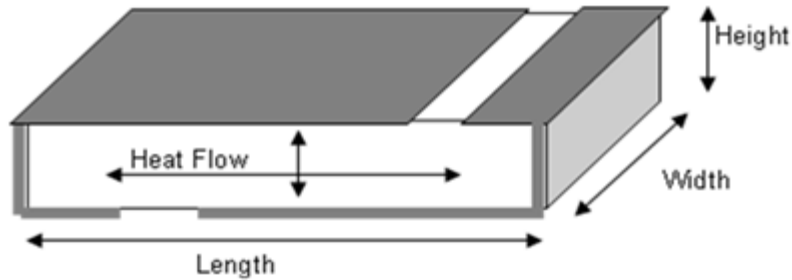
CVD Diamond

Part Number	Length (in)	Width (in)	Thickness (in)	Thermal Resistance ( $^{\circ}\text{C}/\text{W}$ )	Capacitance (pF)
RTC0505-15DW	0.050	0.050	0.015	2.62	0.037
RTC0603-15DW	0.060	0.030	0.015	5.25	0.016
RTC0805-15DW	0.080	0.050	0.015	4.2	0.017
RTC1005-15DW	0.100	0.050	0.015	5.25	0.020
RTC1206-15DW	0.120	0.060	0.015	5.25	0.120
RTC1020-15DW	0.100	0.200	0.015	1.31	0.018

P.O. BOX 18802, Clearwater, FL 33762  
1-800-526-0704

# Thermal Jumpers

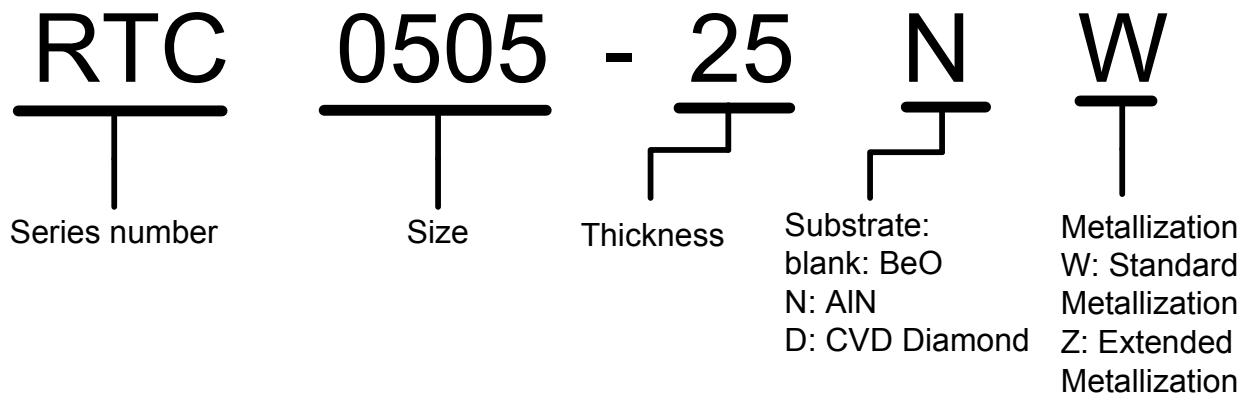
**Extended metallization:** The extended metallization provides added heat transfer by increasing the effective area in the thermal path. This increased metallization will also increase the capacitance. This type of metallization is recommended for DC applications.



## Aluminum Nitride

Part Number	Length (in)	Width (in)	Thickness (in)	Thermal Resistance ( $^{\circ}\text{C}/\text{W}$ )	Capacitance (pF)
RTC0603-25NZ	0.060	0.030	0.025	4.3	0.200
RTC0805-25NZ	0.080	0.050	0.025	1.9	0.300
RTC1206-25NZ	0.120	0.060	0.025	0.9	0.600
RTC1020-40NZ	0.100	0.200	0.04	0.7	1.100

## Ordering Information



P.O. BOX 18802, Clearwater, FL 33762  
1-800-526-0704



# Electro Technik Industries

RES-NET MICROWAVE

## Capacitive Products

**Arizona Capacitors, Inc.**  
1100 S. Plumer Avenue, Tucson, AZ 85719  
tel: 520-573-0221 fax: 520-573-0520  
azcapsales@electrotechnik.com  
www.arizonacapacitors.com

- Wound Film Capacitors and Electronic Filters

**Custom Suppression, Inc.**  
1100 S. Plumer Avenue, Tucson, AZ 85719  
tel: 520-573-0223 fax: 520-573-0520  
csisales@electrotechnik.com  
www.customsuppression.com

- Broadband, Microwave, EMI, and RFI Filters, Filtered Connectors, and Assemblies

## Microwave Products

**Res-Net Microwave, Inc.**  
P.O. Box 18802, Clearwater, FL 33762  
tel: 727-530-9555 fax: 727-531-8215  
res\_sales\_service@electrotechnik.com  
www.res-netmicrowave.com

- RF/Microwave Resistors, Attenuators, Terminations

**Wavetronix Corp.**  
P.O. Box 18802, Clearwater, FL 33762  
tel: 727-530-9555 fax: 727-531-8215  
wave\_sales\_service@electrotechnik.com  
www.wavetronix-eti.com

- RF/Microwave Cable Assemblies and Semi-Rigid Coaxial Cables

## Resistive Products

**Tepro of Florida, Inc.**  
P.O. Box 18802, Clearwater, FL 33762  
tel: 727-796-1044 fax: 727-791-7425  
tep\_sales\_service@electrotechnik.com  
www.tepro-vamistor.com

- Wirewound and Metal Film Resistors

**Vamistor**  
P.O. Box 1260, Clearwater, FL 33757  
tel: 727-796-1044 fax: 727-791-7425  
tep\_sales\_service@electrotechnik.com  
www.tepro-vamistor.com

- Carbon Film and RL 42 Resistors

## Magnetics Products

**Hytronics Corp.**  
P.O. Box 18802, Clearwater, FL 33762  
tel: 727-535-0413 fax: 727-531-1592  
hy\_sales\_service@electrotechnik.com  
www.hytronicscorp.com

- Power Transformers and Power Inductors

**Raycom Electronics, Inc.**  
P.O. Box 250, 1 Raycom Rd.  
Dover, PA 17315  
tel: 717-292-3641 fax: 717 292-2919  
raycomsaleservice@electrotechnik.com  
www.raycomelectronics.com

- Custom Military and Avionics Magnetics

## Goguen Industries

1100 S. Plumer Avenue, Tucson, AZ 85719  
tel: 520-573-0221 fax: 520-573-0520  
goguensales@electrotechnik.com  
www.goguenindustries.com

- Specialty Inductors, Transformers, and Air Coils

**Inductive Technologies, Inc. (I-Tech)**  
P.O. Box 18802, Clearwater, FL 33762  
tel: 727-532-4459 fax: 727-531-1592  
i-techsales@electrotechnik.com  
www.inductech.com

- Standard Catalog Inductors and Transformers

**Winatic Corp.**  
P.O. Box 18802, Clearwater, FL 33762  
tel: 727-538-8917 fax: 727-531-1592  
win\_sales\_service@electrotechnik.com  
www.winatic.com

- Transformers and Inductors for Medical Devices and Equipment

P.O. BOX 18802, Clearwater, FL 33762  
1-800-526-0704